

## Product Specification

### Features

- ▶ Model No. : T5\_3LED\_XXXX
- ▶ Low Power Consumption, Low Voltage
- ▶ Long-Life - up to 50,000-100,000 hours

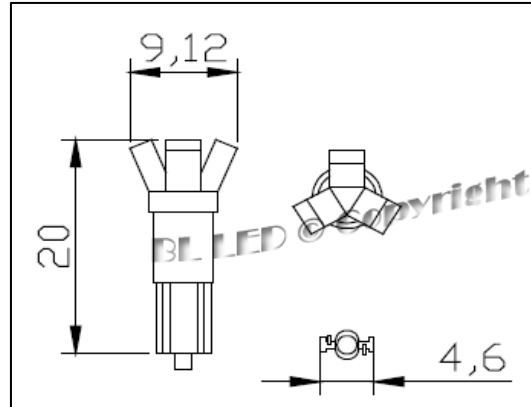
### Absolute Maximum Ratings

- ▶ Power Dissipation: 0.24Watt
- ▶ Operating Temperature: -20 to +50 °C
- ▶ Storage Temperature: -40 to +100 °C

### Usage/Application

- ▶ Usage: Plug and Play, Replaces: T5 17 18 37 70 73 79 85 86 2721 (Fits any wedge socket that measure 5mm)
- ▶ Application: Automotive use such as Shifter Lights, Dashboard, A/C panels and other gauges

### Dimensions (mm)



### Optical-electrical characteristics

Model No.	Input Voltage	Luminous Intensity	Viewing Angle°	Wavelength (nm)
T5_3LED_White	12-16VDC	3	200	x:0.28 y:0.28
T5_3LED_Blue		0.95		470
T5_3LED_Red		1.44		630
T5_3LED_Amber		2.1		595
T5_3LED_Green		3.6		525