

Product Specification

Features

- ▶ Model No. : T10_Inverted_Wedge_xxxxx
- ▶ Low Power Consumption, Low Voltage
- ▶ Long-Life - up to 50,000-100,000 hours

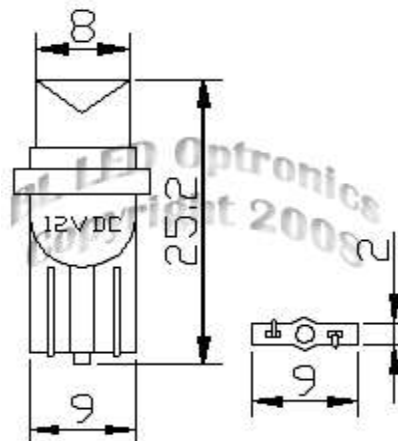
Absolute Maximum Ratings

- ▶ Power Dissipation: 0.26Watt
- ▶ Operating Temperature: -20 to +50 °C
- ▶ Storage Temperature: -40 to +100 °C

Usage/Application

- ▶ Usage: Plug and Play, Replaces: T10 194 501 W5W 147 152 158 159 161 168 184 192 193 259 280 285 447 464 250 1251 1252 2450 2652 2921 2825 921 906 579. (Fits any wedge socket that measure 10mm)
- ▶ Application: Automotive use such as Parker Lights, License Plate Lights, Side Indicators, Tail Indicators, Map Lights, Interior Lights, Boot Lights, Shifter lights, Dash/Dashboard or Gauge Lights

Dimensions (mm)



Optical-electrical characteristics

Model No.	Input Voltage	Luminous Intensity	Viewing Angle°	Wavelength (nm)
T10_Inverted_Wedge_White	12-14VDC	2.3	360	x:0.29 y:0.28
T10_Inverted_Wedge_Blue		0.4	360	470
T10_Inverted_Wedge_Red		0.8	360	630
T10_Inverted_Wedge_Amber		0.9	360	595
T10_Inverted_Wedge_Green		1.5	360	525