

Product Specification

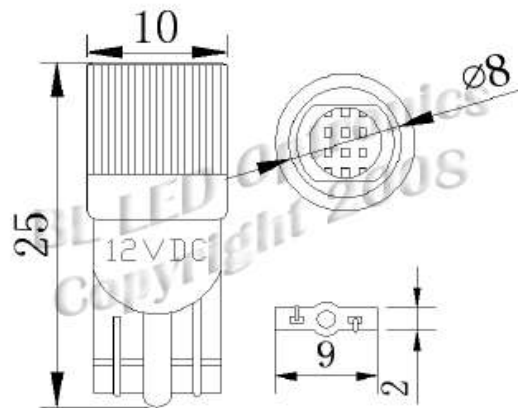
Features

- ▶ Model No. : T10_6ChipSMDWedge_XXXX
- ▶ Low Power Consumption, Low Voltage
- ▶ Long-Life - up to 50,000-100,000 hours
- ▶ Super Wide Angle and High Intensity Output

Absolute Maximum Ratings

- ▶ Power Dissipation: 0.71Watt
- ▶ Operating Temperature: -20 to +50 °C
- ▶ Storage Temperature: -40 to +100 °C

Dimensions (mm)



Usage/Application

- ▶ Usage: Plug and Play, Replaces: T10 194 501 W5W 147 152 158 159 161 168 184 192 193 259 280 285 447 464 250 1251 1252 2450 2652 2921 2825 921 906 579. (Fits any wedge socket that measure 10mm)
- ▶ Application: Automotive use such as Parker Lights, License Plate Lights, Side Indicators, Tail Indicators, Map Lights, Interior Lights, Boot Lights, Shifter lights, Dash/Dashboard or Gauge Lights

Optical-electrical characteristics

Model No.	Input Voltage	Luminous Intensity	Viewing Angle°	Wavelength (nm)
T10_6ChipSMDWedge_White	12-14VDC	29.6	180	x:0.285 y:0.310
T10_6ChipSMDWedge_Blue		4.3	180	470
T10_6ChipSMDWedge_Red		16.2	180	630
T10_6ChipSMDWedge_Amber		17.2	180	595
T10_6ChipSMDWedge_Green		11.9	180	525